

There's more than five good reasons to choose Acqualine

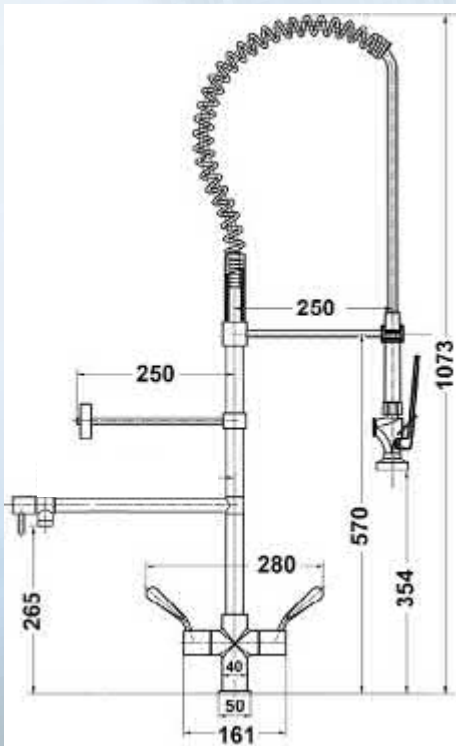
The Acqualine range of quality tapware and Pre Rinse units heralds in a new era of reliable, quality tapware to the Australian market with an industry leading **FIVE YEAR** on-site parts and labour warranty. Designed by professionals with the features you would expect for your kitchen. Features like 300mm Swing Faucet on full height Pre Rinse models, Six Star Wels rated Spray Gun, quality construction with 100mm levers, choice of 100 or 200mm Flick Mixers and more. Watermark Approved & Wels rated to comply with all Australian regulations, and supplied with our exclusive **FIVE YEAR** on-site warranty against parts and labour for real peace of mind. All units come packed with full instructions and hose connections (model dependent).

* Five Year on-site warranty covers manufacturing defects, and excludes faulty installation, sensitivity adjustments on electronic models, failure to install pressure limiting devices where required.

DECK MOUNT PRE RINSE MODELS

AQD1500 DECK MOUNT

Sturdy Deck Mount Pre Rinse complete with wall bracket, 256mm Add on Swing Faucet 1/4 turn 100mm lever operated ceramic disc taps **6 Star** rated spray gun as shown. Single hole mount. 4 Star rated swing faucet. Overall height: 1073mm. Operating water pressure: Min 50kpa, Max 350kpa.



**FIVE YEAR
ON-SITE WARRANTY***

ACQUA

New Generation Tapware

There's more than five good reasons to choose Acqualine

The Acqualine range of quality tapware and Pre Rinse units heralds in a new era of reliable, quality tapware to the Australian market with an industry leading **FIVE YEAR** on-site parts and labour warranty. Designed by professionals with the features you would expect for your kitchen. Features like 300mm Swing Faucet on full height Pre Rinse models, Six Star Wels rated Spray Gun, quality construction with 100mm levers, choice of 100 or 200mm Flick Mixers and more. Watermark Approved & Wels rated to comply with all Australian regulations, and supplied with our exclusive **FIVE YEAR** on-site warranty against parts and labour for real peace of mind. All units come packed with full instructions and hose connections (model dependent).

DECK MOUNT PRE RINSE MODELS

AQD1500LH

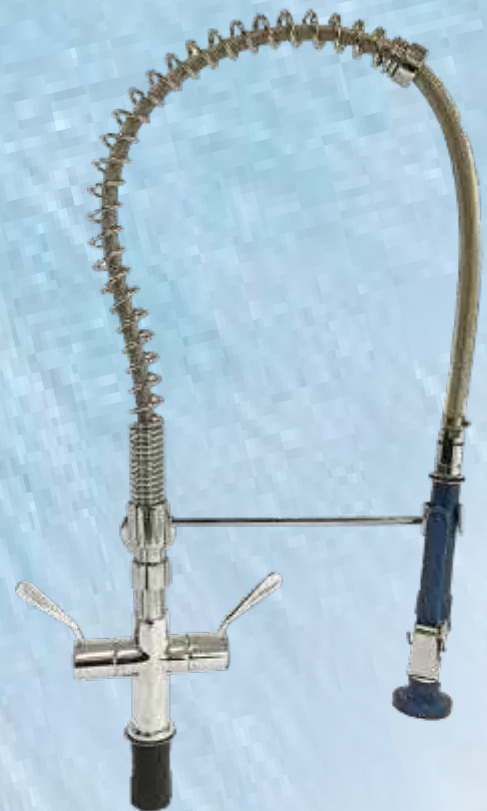
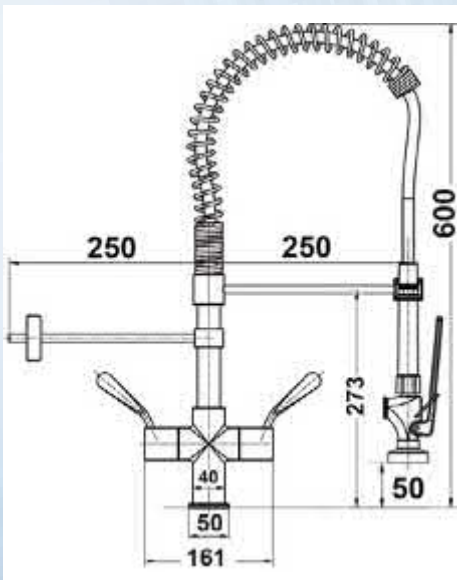
DECK MOUNT *LOW HEIGHT*

Deck Mount Pre Rinse, Low Height Model, complete with wall bracket, 1/4 turn 100mm lever operated ceramic disc taps and **6 Star** rated spray gun as shown.

Single hole mount.

Overall height: 600mm.

Operating water pressure: Min 50kpa, Max 350kpa.



**FIVE YEAR
ON-SITE WARRANTY***

* Five Year on-site warranty covers manufacturing defects, and excludes faulty installation, sensitivity adjustments on electronic models, failure to install pressure limiting devices where required.

ACQUA

New Generation Tapware

There's more than five good reasons to choose Acqualine

The Acqualine range of quality tapware and Pre Rinse units heralds in a new era of reliable, quality tapware to the Australian market with an industry leading **FIVE YEAR** on-site parts and labour warranty. Designed by professionals with the features you would expect for your kitchen. Features like 300mm Swing Faucet on full height Pre Rinse models, Six Star Wels rated Spray Gun, quality construction with 100mm levers, choice of 100 or 200mm Flick Mixers and more. Watermark Approved & Wels rated to comply with all Australian regulations, and supplied with our exclusive **FIVE YEAR** on-site warranty against parts and labour for real peace of mind. All units come packed with full instructions and hose connections (model dependent).

* Five Year on-site warranty covers manufacturing defects, and excludes faulty installation, sensitivity adjustments on electronic models, failure to install pressure limiting devices where required.

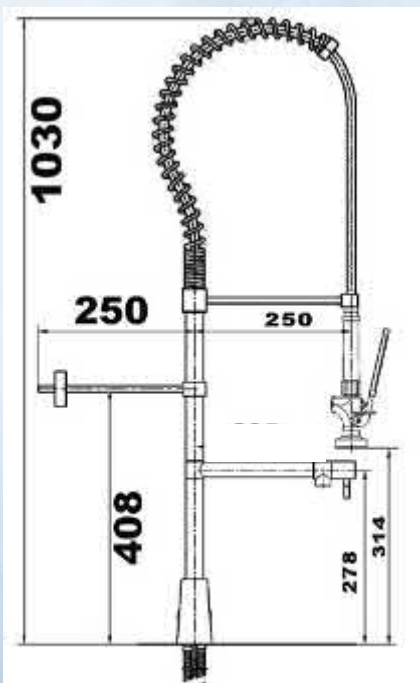
DECK MOUNT PRE RINSE MODELS

AQD1200 DECK MOUNT

Deck Mount Pre Rinse, complete with wall bracket, 256mm swing faucet, single lever flow and temperature control, and **6 Star** rated spray gun, 4 Star rated pot filler. Single hole mount.

Overall height: 960-1030mm.

Hose length 845mm. Operating water pressure
Min 50kpa, Max 350kpa.



**FIVE YEAR
ON-SITE WARRANTY***

There's more than five good reasons to choose Acqualine

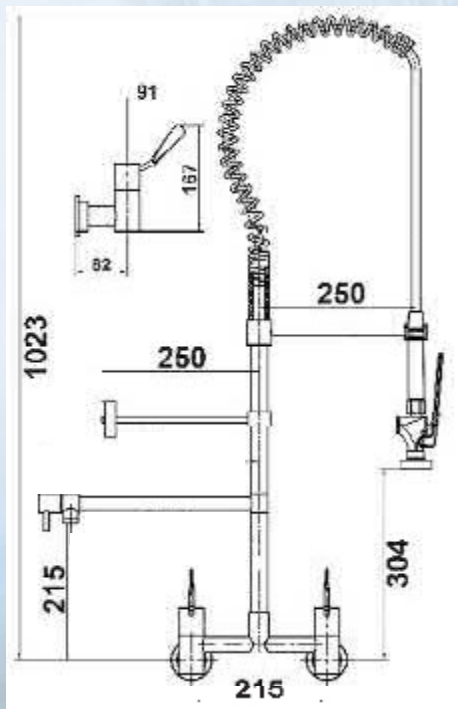
The Acqualine range of quality tapware and Pre Rinse units heralds in a new era of reliable, quality tapware to the Australian market with an industry leading **FIVE YEAR** on-site parts and labour warranty. Designed by professionals with the features you would expect for your kitchen. Features like 300mm Swing Faucet on full height Pre Rinse models, Six Star Wels rated Spray Gun, quality construction with 100mm levers, choice of 100 or 200mm Flick Mixers and more. Watermark Approved & Wels rated to comply with all Australian regulations, and supplied with our exclusive **FIVE YEAR** on-site warranty against parts and labour for real peace of mind. All units come packed with full instructions and hose connections (model dependent).

* Five Year on-site warranty covers manufacturing defects, and excludes faulty installation, sensitivity adjustments on electronic models, failure to install pressure limiting devices where required.

WALL MOUNT PRE RINSE MODELS

AQW1500 WALL MOUNT EXPOSED BREECH

Wall Mount Pre Rinse, complete with wall bracket, 256mm Add on swing faucet, 1/4 turn 100mm lever operated ceramic disc taps and **6 Star** rated spray gun as shown. Two hole mount. 4 Star rated swing faucet. Overall height: 1023mm. Operating water pressure: Min 50kpa, Max 350kpa.



**FIVE YEAR
ON-SITE WARRANTY***

ACQUA

New Generation Tapware

There's more than five good reasons to choose Acqualine

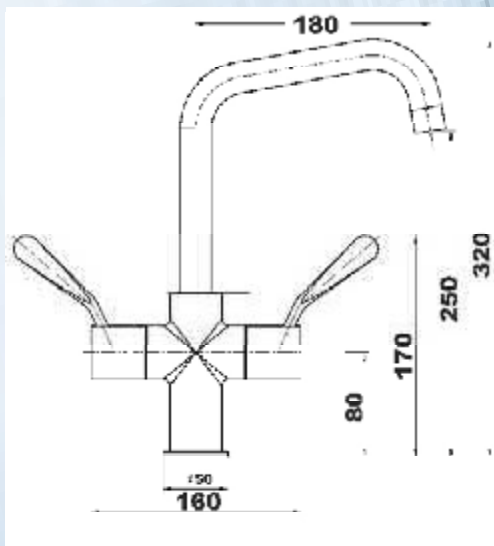
The Acqualine range of quality tapware and Pre Rinse units heralds in a new era of reliable, quality tapware to the Australian market with an industry leading FIVE YEAR on-site parts and labour warranty. Designed by professionals with the features you would expect for your kitchen. Features like 300mm Swing Faucet on full height Pre Rinse models, Six Star Wels rated Spray Gun, quality construction with 100mm levers, choice of 100 or 200mm Flick Mixers and more. Watermark Approved & Wels rated to comply with all Australian regulations, and supplied with our exclusive FIVE YEAR* on-site warranty against parts and labour for real peace of mind. All units come packed with full instructions and hose connections (model dependent).

* Five Year on-site warranty covers manufacturing defects, and excludes faulty installation, sensitivity adjustments on electronic models, failure to install pressure limiting devices where required.

AQD3150 DECK MOUNT FAUCET WITH 180MM SPOUT

Deck Mounted 180mm Swing Faucet, with 100mm Lever operation, one hole mount, complete with flexible fittings. Ceramic cartridges, 1/4 turn levers, rugged construction and high quality finish. 4 Star rated.

Operating water pressure Min 50kpa, Max 350kpa.



**FIVE YEAR
ON-SITE WARRANTY***

There's more than five good reasons to choose Acqualine

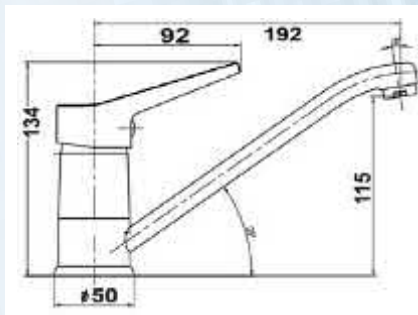
The Acqualine range of quality tapware and Pre Rinse units heralds in a new era of reliable, quality tapware to the Australian market with an industry leading **FIVE YEAR** on-site parts and labour warranty. Designed by professionals with the features you would expect for your kitchen. Features like 300mm Swing Faucet on full height Pre Rinse models, Six Star Wels rated Spray Gun, quality construction with 100mm levers, choice of 100 or 200mm Flick Mixers and more. Watermark Approved & Wels rated to comply with all Australian regulations, and supplied with our exclusive **FIVE YEAR** on-site warranty against parts and labour for real peace of mind. All units come packed with full instructions and hose connections (model dependent).

DECK MOUNT FLICK MIXER MODELS

AQD5200 DECK MOUNT FLICK MIXER 200mm swing spout

Deck Mount Flick Mixer, complete with 200mm Swing Spout, **4 Star** rated, one hole mount, complete with flexible fittings.

Operating water pressure Min 50kpa, Max 350kpa.

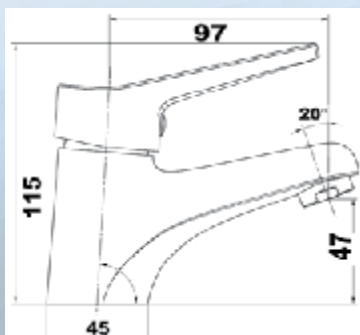


FIVE YEAR ON-SITE WARRANTY*

AQD5100 DECK MOUNT FLICK MIXER 100mm spout

Deck Mount Flick Mixer, complete with 100mm Fixed Spout, **5 Star** rated, one hole mount, complete with flexible fittings.

Operating water pressure Min 50kpa, Max 350kpa.



* Five Year on-site warranty covers manufacturing defects, and excludes faulty installation, sensitivity adjustments on electronic models, failure to install pressure limiting devices where required.

ACQUA

New Generation Tapware

There's more than five good reasons to choose Acqualine

The Acqualine range of quality tapware and Pre Rinse units heralds in a new era of reliable, quality tapware to the Australian market with an industry leading **FIVE YEAR** on-site parts and labour warranty. Designed by professionals with the features you would expect for your kitchen. Features like 300mm Swing Faucet on full height Pre Rinse models, Six Star Wels rated Spray Gun, quality construction with 100mm levers, choice of 100 or 200mm Flick Mixers and more. Watermark Approved & Wels rated to comply with all Australian regulations, and supplied with our exclusive **FIVE YEAR** on-site warranty against parts and labour for real peace of mind. All units come packed with full instructions and hose connections (model dependent).

AQ6000 THERMOSTATIC MIXING VALVE 15/20mm

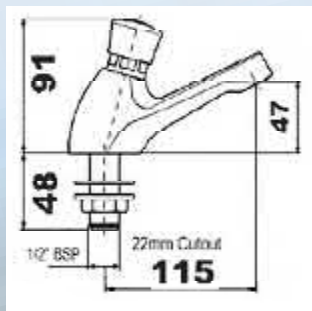
Critical for supplying safe water temperatures to a tapset, Output temperature range 35-50°C. Operating water pressure 20kpa, Max 350kpa.



FIVE YEAR ON-SITE WARRANTY*

AQD745 DECK MOUNT TIME FLOW TAP

Deck mounted Time Flow Tap. 7 Seconds. One hole mount, 3 Star rating. Includes one connection tail and hardware. Supplied with Blue Red and Yellow button. Operating water pressure Min 50kpa, Max 350kpa. Optimum 250-350kpa.



* Five Year on-site warranty covers manufacturing defects, and excludes faulty installation, sensitivity adjustments on electronic models, failure to install pressure limiting devices where required.

There's more than five good reasons to choose Acqualine

The Acqualine range of quality tapware and Pre Rinse units heralds in a new era of reliable, quality tapware to the Australian market with an industry leading FIVE YEAR on-site parts and labour warranty. Designed by professionals with the features you would expect for your kitchen. Features like 300mm Swing Faucet on full height Pre Rinse models, Six Star Wels rated Spray Gun, quality construction with 100mm levers, choice of 100 or 200mm Flick Mixers and more. Watermark Approved & Wels rated to comply with all Australian regulations, and supplied with our exclusive FIVE YEAR* on-site warranty against parts and labour for real peace of mind. All units come packed with full instructions and hose connections (model dependent).

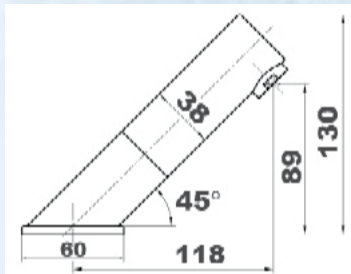
* Five Year on-site warranty covers manufacturing defects, and excludes faulty installation, sensitivity adjustments on electronic models, failure to install pressure limiting devices where required.

ELECTRONIC HANDS FREE MODELS

AQD4002 DECK MOUNT HANDS FREE SENSOR TAP

Modern Deck Mounted Hands Free Sensor Tap, one hole mount, complete with flexible fittings, downward facing sensor, 240V and battery backup, 5 Star rating Includes one connection tail and hardware. Stop taps recommended (not supplied).

Operating water pressure Min 50kpa, Max 350kpa.

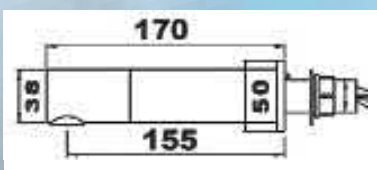


**FIVE YEAR
ON-SITE WARRANTY***

AQD4003 WALL MOUNT HANDS FREE SENSOR TAP

Modern Wall Mounted Hands Free Sensor Tap, one hole mount, complete with flexible fittings, downward facing sensor, 240V and battery backup, 5 Star rating Includes one connection tail and hardware. Stop taps recommended (not supplied).

Operating water pressure Min 50kpa, Max 350kpa.



ACQUA

New Generation Tapware

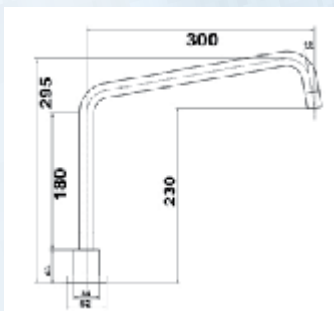
There's more than five good reasons to choose Acqualine

The Acqualine range of quality tapware and Pre Rinse units heralds in a new era of reliable, quality tapware to the Australian market with an industry leading FIVE YEAR on-site parts and labour warranty. Designed by professionals with the features you would expect for your kitchen. Features like 300mm Swing Faucet on full height Pre Rinse models, Six Star Wels rated Spray Gun, quality construction with 100mm levers, choice of 100 or 200mm Flick Mixers and more. Watermark Approved & Wels rated to comply with all Australian regulations, and supplied with our exclusive FIVE YEAR* on-site warranty against parts and labour for real peace of mind. All units come packed with full instructions and hose connections (model dependent).

DECK MOUNT FAUCET/SINK SETS

AQD3300CB DECK MOUNT 300MM SPOUT

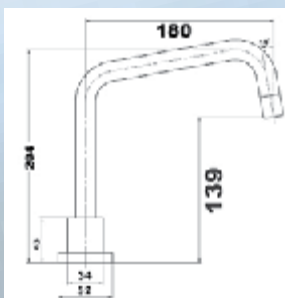
Deck Mounted 300mm Swing Faucet, with Lever operation, concealed breech, three hole mount, complete with fittings. Ceramic cartridges, 1/4 turn 100mm levers, rugged construction and high quality finish. 4 Star rated. Operating water pressure Min 50kpa, Max 350kpa.



**FIVE YEAR
ON-SITE WARRANTY***

AQD3180CB DECK MOUNT 180MM SPOUT

Deck Mounted 180mm Swing Faucet with Lever operation, concealed breech, three hole mount, complete with fittings. Ceramic cartridges, 1/4 turn 100mm levers, rugged construction and high quality finish. 4 Star rated. Operating water pressure Min 50kpa, Max 350kpa.



* Five Year on-site warranty covers manufacturing defects, and excludes faulty installation, sensitivity adjustments on electronic models, failure to install pressure limiting devices where required.

There's more than five good reasons to choose Acqualine

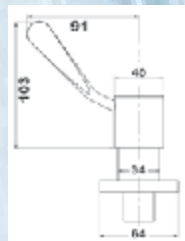
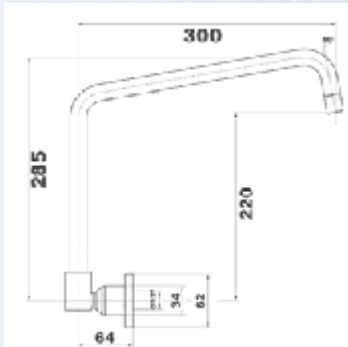
The Acqualine range of quality tapware and Pre Rinse units heralds in a new era of reliable, quality tapware to the Australian market with an industry leading **FIVE YEAR** on-site parts and labour warranty. Designed by professionals with the features you would expect for your kitchen. Features like 300mm Swing Faucet on full height Pre Rinse models, Six Star Wels rated Spray Gun, quality construction with 100mm levers, choice of 100 or 200mm Flick Mixers and more. Watermark Approved & Wels rated to comply with all Australian regulations, and supplied with our exclusive **FIVE YEAR** on-site warranty against parts and labour for real peace of mind. All units come packed with full instructions and hose connections (model dependent).

* Five Year on-site warranty covers manufacturing defects, and excludes faulty installation, sensitivity adjustments on electronic models, failure to instal pressure limiting devices where required.

WALL MOUNT FAUCET/SINK SETS

AQW3300CB WALL MOUNT 300MM SPOUT

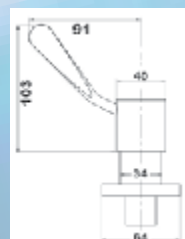
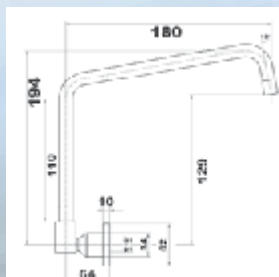
Deck Mounted 300mm Swing Faucet, with Lever operation, concealed breech, three hole mount, complete with fittings. Ceramic cartridges, 1/4 turn 100mm levers, rugged construction and high quality finish. 4 Star rated. Operating water pressure Min 50kpa, Max 350kpa.



FIVE YEAR ON-SITE WARRANTY*

AQW3180CB WALL MOUNT 180MM SPOUT

Deck Mounted 180mm Swing Faucet with Lever operation, concealed breech, three hole mount, complete with fittings. Ceramic cartridges, 1/4 turn 100mm levers, rugged construction and high quality finish. 4 Star rated. Operating water pressure Min 50kpa, Max 350kpa.



ACQUA

New Generation Tapware

There's more than five good reasons to choose Acqualine

The Acqualine range of quality tapware and Pre Rinse units heralds in a new era of reliable, quality tapware to the Australian market with an industry leading **FIVE YEAR** on-site parts and labour warranty. Designed by professionals with the features you would expect for your kitchen. Features like 300mm Swing Faucet on full height Pre Rinse models, Six Star Wels rated Spray Gun, quality construction with 100mm levers, choice of 100 or 200mm Flick Mixers and more. Watermark Approved & Wels rated to comply with all Australian regulations, and supplied with our exclusive **FIVE YEAR** on-site warranty against parts and labour for real peace of mind. All units come packed with full instructions and hose connections (model dependent).

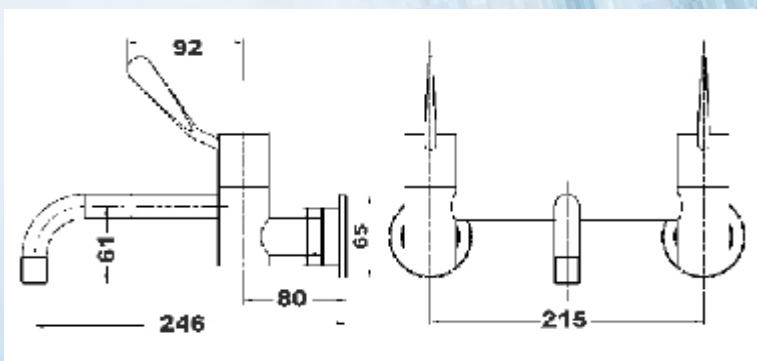
* Five Year on-site warranty covers manufacturing defects, and excludes faulty installation, sensitivity adjustments on electronic models, failure to install pressure limiting devices where required.

AQW1836 CLEANERS SINK FAUCET SET

with wall bracket support

Quality Wall mounted Cleaners Sink model with cable supported Spout and Bucket Hook. 4 Star rated.

Operating water pressure Min 50kPA, Max 350kPA.



FIVE YEAR ON-SITE WARRANTY*

There's more than five good reasons to choose Acqualine

The Acqualine range of quality tapware and Pre Rinse units heralds in a new era of reliable, quality tapware to the Australian market with an industry leading **FIVE YEAR** on-site parts and labour warranty. Designed by professionals with the features you would expect for your kitchen. Features like 300mm Swing Faucet on full height Pre Rinse models, Six Star Wels rated Spray Gun, quality construction with 100mm levers, choice of 100 or 200mm Flick Mixers and more. Watermark Approved & Wels rated to comply with all Australian regulations, and supplied with our exclusive **FIVE YEAR** on-site warranty against parts and labour for real peace of mind. All units come packed with full instructions and hose connections (model dependent).

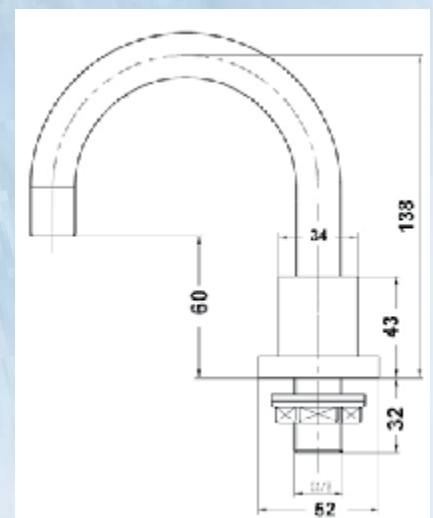
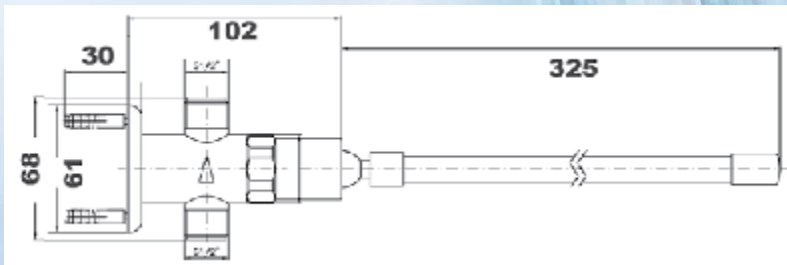
* Five Year on-site warranty covers manufacturing defects, and excludes faulty installation, sensitivity adjustments on electronic models, failure to install pressure limiting devices where required.

AQD780 KNEE OPERATED TIMER BASIN TAP SET

Includes deck mount fixed gooseneck outlet,
325mm lever / knee operated time-flow and
connections. Six Star rated.

Operating water pressure Min 50kPA,
Max 350kPA.

**FIVE YEAR
ON-SITE WARRANTY***



ACQUA

New Generation Tapware

There's more than five good reasons to choose Acqualine

The Acqualine range of quality tapware and Pre Rinse units heralds in a new era of reliable, quality tapware to the Australian market with an industry leading FIVE YEAR on-site parts and labour warranty. Designed by professionals with the features you would expect for your kitchen. Features like 300mm Swing Faucet on full height Pre Rinse models, Six Star Wels rated Spray Gun, quality construction with 100mm levers, choice of 100 or 200mm Flick Mixers and more. Watermark Approved & Wels rated to comply with all Australian regulations, and supplied with our exclusive FIVE YEAR* on-site warranty against parts and labour for real peace of mind. All units come packed with full instructions and hose connections (model dependent).

* Five Year on-site warranty covers manufacturing defects, and excludes faulty installation, sensitivity adjustments on electronic models, failure to install pressure limiting devices where required.

**Optional Dealer Stand
promotion available
with your branding on
leaflets - contact us
for details.**



Packaging includes Wels rating and Watermark with Pre Rinse product shots and selling statements on the box top.