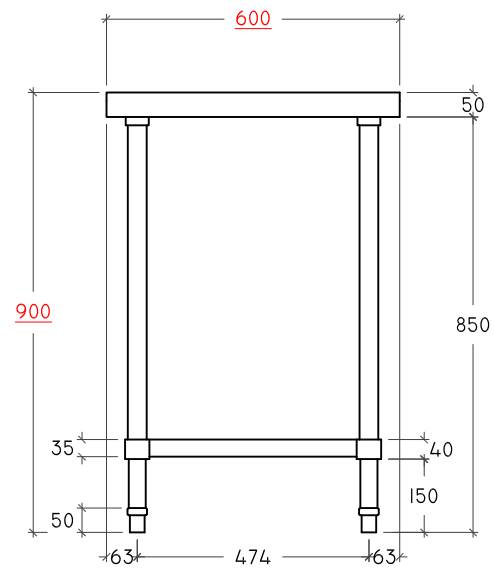
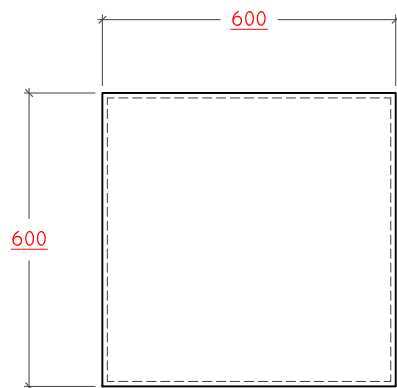


FRONT VIEW



SIDE VIEW



TOP VIEW

CONSTRUCTION NOTES:

1. TOPS MADE FROM 304 GRADE, 1.2MM STAINLESS STEEL
2. CORE MADE FROM 2MM GALVANIZES STEEL
3. FRAME MADE FROM Ø38MM STAINLESS STEEL TUBE
4. UNDERSHELF MADE FROM 1.2MM STAINLESS STEEL
5. FEET ARE NYLON ADJUSTABLE FEET

COMPANY	PRODUCT	CODE	PAGE
	WORK BENCH (ISLAND)	AMS-IB-6060	1 / 1
	SIZE	DATE	SCALA
	600 x 600 x 900 (H) MM	21 OKT 2021	1 : 15

